

SWITCHGEARS IN ACCORDANCE WITH NTC, ANSI AND RETIE

Note: the designs are legal property of Nacional de Transformadores S.A.S. - Tesla Transformers due to its registered trademark. The total or partial use of Tesla Transformers' design is prohibited without prior authorization from Nacional de Transformadores S.A.S.

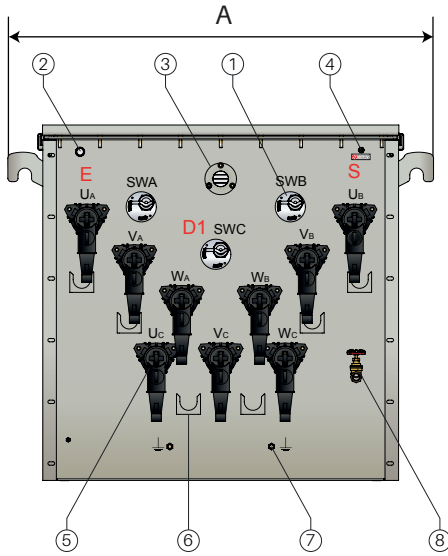


DIAGRAM A

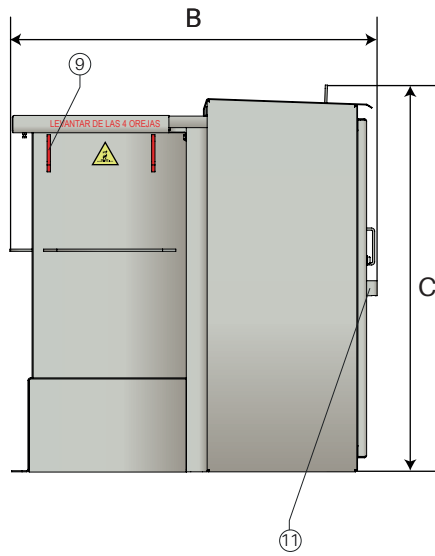
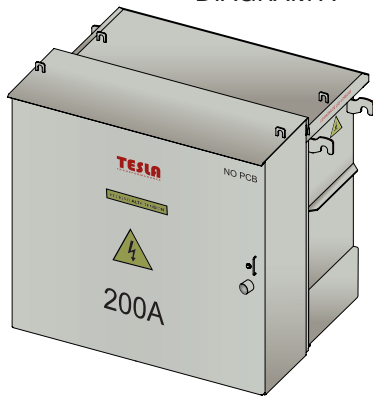
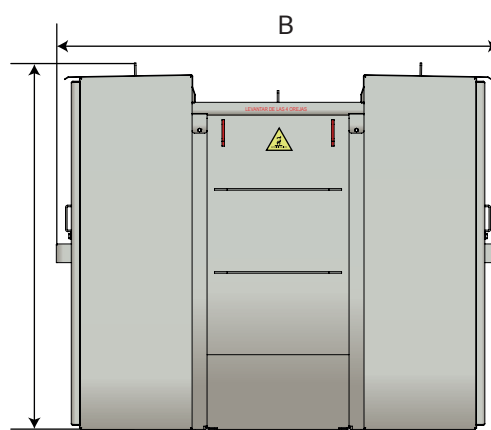
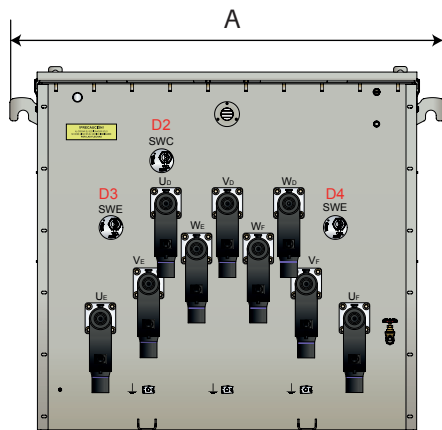
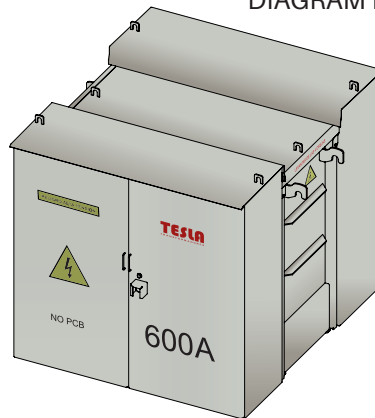


DIAGRAM B



Rated voltage (kV)	15
No. of circuits	2, 3, 4, 5, 6
Inputs Outputs (A)	200-600
Branches	200-600
No. of phases	3
Type	Selective
Installation	Indoor -Outdoor
BIL (kV)	95
Cooling	ONAN
Insulating liquid	Oil Mineral / Vegetable

Constituent parts

- 1 Switch On-Off
- 2 Oil Filling
- 3 Oil level
- 4 Overpressure relief valve
- 5 Pre-molded connection terminals
- 6 Parking stands
- 7 Grounding terminal
- 8 Recirculation valve
- 9 Lifting device
- 10 Nameplate (internally)
- 11 Lock

Notes

- Due to changes in technology and manufacturing methods, dimensions may change without prior notice, with tolerances $\pm 10\%$.
- For different number of circuits and configurations, please consult the factory.
- Dimensions are approximate, for final plans, please consult the factory
- Vegetable oil generates an additional cost.

No. circuit	Diagram	A (mm)	B (mm)	C (mm)	OIL (L)	WEIGHT (kg)
2	A	1120	1160	1020	180	410
3	A	1260	1160	1120	230	440
4	A	1620	1160	1200	290	620
5	B	1260	1690	1460	370	810
6	B	1620	1780	1480	590	1110