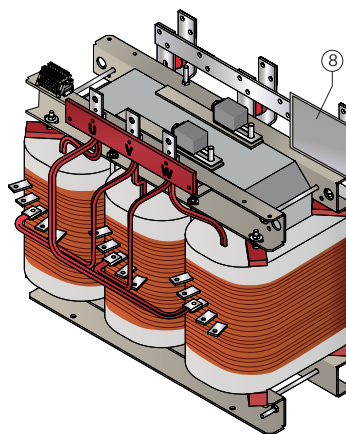
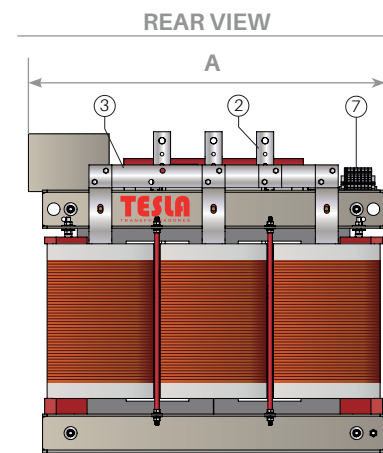
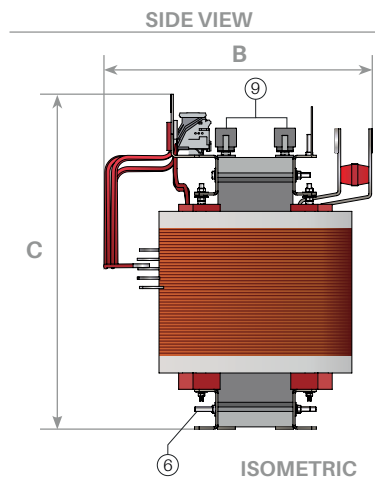
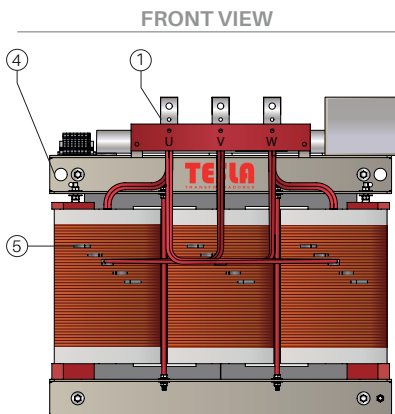


OPEN DRY TYPE TRANSFORMER CLASS H SERIES 1.1 / 1.1 kV ACCORDING TO NTC 3445 AND NTC 3654 STANDARDS

Note: the designs are legal property of Nacional de Transformadores S.A.S. - Tesla Transformers due to its registered trademark. The total or partial use of Tesla Transformers' design is prohibited without prior authorization from Nacional de Transformadores S.A.S.



Rated voltage (kV)	1,1 / 1,1
Primary voltage(V)	Up to 800
Secondary voltage (V)	Up to 800
Phases	3
Installation	Indoor
Frequency(Hz)	60
Connection group	Dyn-
Tap changer	(+2-2) X 2.5 % (customer request)
Temperature rise (°C)	125
BIL (kV)	- / -
Protection degree	IP-00 / IP-20 / IP54 (customer request)
Cooling	AN
Insulation class	H

POWER (kVA)	A (mm)	B (mm)	C (mm)	WEIGHT (kg)	IMPEDANCE AT 145°C (%)	SHORT CIRCUIT DURATION (s)	SYMMETRICAL I.C.C. (kA)	LOAD LOSSES AT 145°C Pk(W)	NO-LOAD LOSSES Po(W)	EFFICIENCY 75°C (+) (%)	SOUND PRESSURE POWER (+) (dB)
10	510	350	410	110	4	2	25	271	105	96,37	45
15	550	350	450	120	4	2	25	380	140	96,73	45
20	550	370	480	130	4	2	25	483	170	96,98	45
25	650	450	540	140	4	2	25	581	195	97,19	45
30	670	480	550	150	4	2	25	673	220	97,34	45
45	680	500	570	200	4	2	25	934	280	97,69	45
75	700	530	580	340	4	2	25	1412	370	98,09	50
112,5	740	560	670	370	5	2	20	1955	460	98,25	50
150	840	600	710	400	5	2	20	2454	540	98,43	50
225	850	670	830	550	5	2	20	3420	685	98,63	55
300	870	680	890	720	5	2	20	4316	825	98,74	55
400	1020	950	970	920	6	2	16,7	5429	1000	98,84	60
500	1100	950	1050	1260	6	2	16,7	6542	1160	98,91	60
630	1225	950	1120	1350	6	2	16,7	7937	1390	99,96	62
800	1240	990	1210	1500	6	2	16,7	9805	1600	99,03	64
1000	1340	1020	1440	2000	6	2	16,7	11944	1900	99,07	64
1250	1540	1040	1570	2400	6	2	16,7	14618	2275	99,16	65
1600	1630	1100	1650	2700	6	2	16,7	18361	2800	99,18	66

(+) Efficiency levels calculated at a reference temperature of 75°C, with a load factor of 50% and power factor = 1.
 (+) Prior to the guaranteed efficiency value, the specified no-load or winding losses are a reference and these may vary depending on the voltage and current characteristics of the transformer.
 (***) Sound pressure level NTC 5978.
 (****) The different constructions vary by power (kVA).
 (*****) The number of perforations on the terminals is according to the manufacturing standard (It will be indicated in the final drawing).

Notes

- Due to changes in technology and manufacturing methods, dimensions may change without prior notice, tolerances ± 10%.
- Additional accessories such as contact thermometers, forced ventilation, breaker, etc. They are requested at the client's request with additional cost.
- 90° adjustable wheels from 225kVA (at the client's request).
- For special transformers, K factor for handling harmonics, IP protection degrees, reduced temperature increase in the windings, service factor 1.25, low losses, low noise level and different connection group, are manufactured to order, with additional cost.
- The measurements are approximate, for final plans check with the factory.
- The construction and dimensions may vary depending on the power (check with the factory).
- For different or higher powers, they are manufactured to order, check with the factory.

Constituent parts

- 1 Primary winding phase terminals.
- 2 Secondary winding phase terminals
- 3 Neutral terminal.
- 4 Device for lifting Switching
- 5 Taps Grounding
- 6 Terminal Device
- 7 Block for temperature sensors (customer request)
- 8 Nameplate
- 9 Low-voltage surge arresters (customer request)